

STEINER

LT240CFSPK

4 Tonne Hydraulic Clear Floor 2 Post Hoist



**HARD WORKING DIRECT DRIVE 2 POST FOR
DEALERSHIPS AND BUSY WORKSHOPS**



Ideal for:

Dealerships and busy workshops that need a reliable hoist.

Features:

- › Double direct drive hydraulic cylinders, for easy maintenance
- › Double-S shape cross section column design to guarantee strength
- › 3 stage lifting arms accommodate a wide range of vehicles
- › Automatic shut off system protects the top of the vehicle
- › Automatic arm lock system provides lateral locking force
- › Asymmetric arms
- › Throttled cylinders to prevent hose bursts
- › Excellent 3900mm overall height

OUR PROMISE:
100
ONE HUNDRED DAYS
100% SATISFACTION

If you are not 100% satisfied with your equipment, Treadway Equipped will repair, replace or refund the equipment free of charge within the first 100 days.

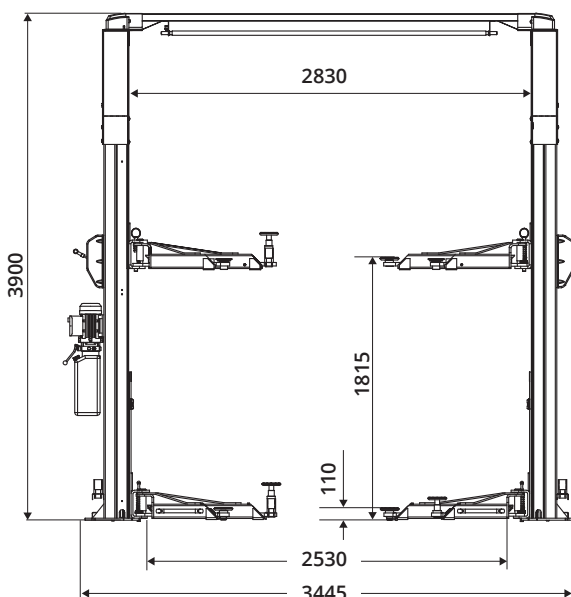
LT240CFSPK

4 Tonne Hydraulic Clear Floor 2 Post Hoist

STEINER


Features:

- › Double direct drive hydraulic cylinders, for easy maintenance
- › Double-S shape cross section column design to guarantee strength
- › 3 stage lifting arms accommodate a wide range of vehicles
- › Automatic shut off system protects the top of the vehicle
- › Automatic arm lock system provides lateral locking force
- › Asymmetric arms
- › Throttled cylinders to prevent hose bursts
- › Excellent 3900mm overall height



SPECIFICATIONS

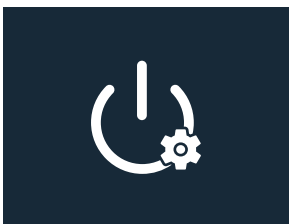
Load capacity	4000kg
Lifting height	90-1990mm
Lifting time	≤ 50 sec
Overall height	3550mm
Overall width	3445 mm
Front arm reach	580-1140mm
Rear arm reach	900-1430mm
Drive through width	2530mm
Net weight	635kg & 680kg
Packing size	2880x460x750mm

LT240CFSPK

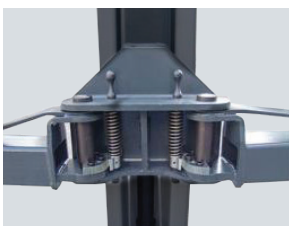
4 Tonne Hydraulic Clear Floor 2 Post Hoist

Hard working Direct Drive 2 Post for dealerships and busy workshops

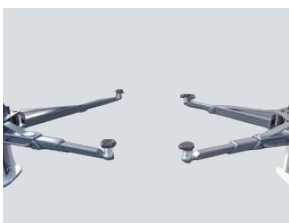
Design & safety



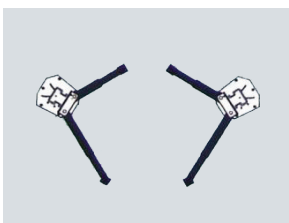
- › **Safety**
Automatic shut-off system prevents damage to the top of vehicles.



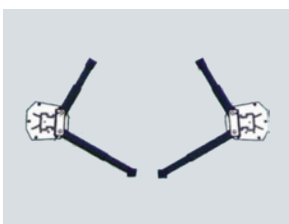
- › **Lifting arm resistance system**
Ensures the arms are locked securely.



- › **3-State lifting arms**
Accommodates a wide range of vehicles.



- › **Offset columns**
Rotary asymmetric.



- › **Columns facing each other**
Standard asymmetric.



- › **Single point lock release**
Simple operation.



- › **Double telescoping screw pads**
Provide flexible and secure lifts.



- › **Design**
S-Column for extra strength and rigidity.



- › **Rubber door guards**
Prevent damage to vehicle doors.



OUR PROMISE:

100

ONE HUNDRED DAYS
100% SATISFACTION

If you are not 100% satisfied with your equipment, Treadway Equipped will repair, replace or refund the equipment free of charge within the first 100 days.

0800 436 436
treadwayequipped.co.nz